



SERVICE PARTS LIST

BUL. 54-05-0275

VACUUM CLEANER MOTOR HEAD

REVISED BUL.

DATE
May '76

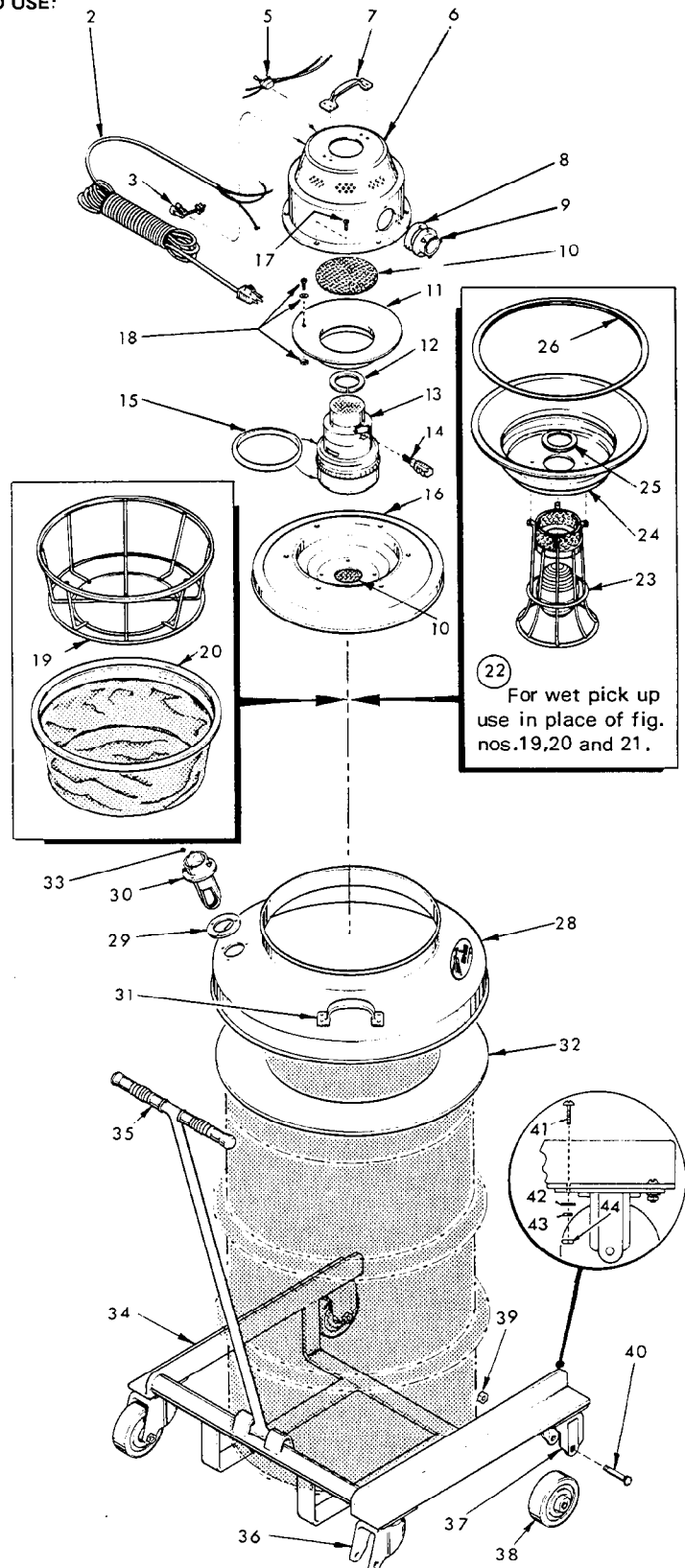
Catalog No. 8940

Starting
Serial No. **SERIES 1**

WIRING INSTRUCTIONS

FOR CAT. NO. 8940-2 (230V) VACUUM CLEANER MOTOR HEAD USE:
23-30-0140 MOTOR

FIG.	PART NO.	DESCRIPTION	NO. REQ.
1	—	Cat. No. 8940 Motor Head (Includes Fig. Nos. 2 thru 18)	(1)
2	22-64-0700	Cord Set	(1)
3	44-76-0020	Cord Protector	(1)
5	23-66-0870	Switch	(1)
6	42-92-0350	Motor Cover Assembly (Includes Fig. Nos. 7 thru 10)	(1)
7	43-62-0510	Handle	(1)
8	43-44-0335	Gasket	(1)
9	42-86-0070	Connector	(1)
10	45-03-0120	Perforated Aluminum Screen	(1)
11	42-04-0440	Motor Adapter	(1)
12	43-44-0360	Motor Top Gasket	(1)
13	23-30-0100	Small Bypass Motor Assembly	(1)
14	—	Carbon Brush and Holder (Set) Refer to bottom of page	(1)
15	43-44-0390	Motor Gasket	(2)
16	42-92-0270	Container Cover with Screen	(1)
17	06-85-2000	12x1/2 Phillips Type B Pan Hd. Screw	(6)
18	06-05-0010	Ground Screw Assembly	(1)
19	49-90-0270	Wire Frame	(1)
20	49-90-0260	Cloth Filter and Gasket	(1)
21	49-90-0320	Dacron Filter Bag (Not Shown)	(1)
22	49-90-1610	Wet Pick-Up Conversion Pan Assy. (Includes Fig. Nos. 23 thru 26)	(1)
23	42-46-0110	Float Cage Assembly	(1)
24	44-54-0050	Wet Pan Adapter	(1)
25	43-44-0340	Shut Off Gasket	(1)
26	43-44-0330	Gasket	(1)
27	49-90-1590	16" Drum Adapter Assy. (Includes Fig. Nos. 28 thru 33)	(1)
28	42-04-0430	Drum Adapter	(1)
29	43-44-0370	Inlet Gasket	(1)
30	42-86-0080	Inlet Connector Assembly	(1)
31	43-62-0500	Handle	(2)
32	43-44-0350	Gasket	(1)
33	43-33-0490	Elbow (Not Shown)	(1)
34	49-90-1100	Four Wheel Drum Dolly (Includes Fig. Nos. 35 thru 40)	(1)
35	43-62-0535	Hand Grip	(2)
36	42-36-0935	Swivel Bracket Assy. (Includes Fig. Nos. 38 thru 40)	(2)
37	42-36-0940	Stationary Bracket Assy. (Includes Fig. Nos. 38 thru 40)	(2)
38	45-94-0145	Wheel	(1)
39	06-55-2450	3/8-24 Hex Nut	(1)
40	42-12-0060	Axle	(1)
41	06-81-4720	1/4-20 Screw	(4)
42	45-88-5220	1/4 Flat Washer	(4)
43	06-97-4000	1/4 Split Lock Washer	(4)
44	06-55-1500	1/4-20 Hex Nut	(4)



22-18-0430



22-18-0530